



Navigator
INSTRUCTION MANUAL
Model ID: NAV RK

Before connecting, operating or adjusting this product, please read the manual completely.
Please keep this manual for future reference.

CONTENTS

Important Safety Precautions	1
Identification of Controls	4
Installation	5
Connections	6
Specifications	7

IMPORTANT SAFETY PRECAUTIONS

Electricity may cause personal injuries and property damage if handled improperly. The IFP has been engineered and manufactured with the highest priority on safety. But **IMPROPER USE CAN RESULT IN POTENTIAL ELECTRIC SHOCK OR FIRE HAZARD.** In order to prevent potential danger, please observe the following instructions when installing, operating and cleaning the product. To ensure your safety and prolong the service life of your IFP, please read the following precautions carefully before using the product.

- 1. Read these instructions**---All operating instructions must be read and understood before the product is used.
- 2. Keep these instructions**---These safety and operating instructions must be kept in a safe place for future reference.
- 3. Note all warnings**---All warnings on the product and in the instruction manual must be observed closely.
- 4. Follow all instructions**---All operating instructions must be followed.
- 5. Attachments**---Only use attachments/accessories specified by the manufacturer. Do not use attachments which are not recommended by the manufacturer. Use of improper attachments can result in accidents.
- 6. Power source**---This product is intended to be supplied with a listed power supply indicated on the marking label. If you are not sure of the type of power supply at your location, consult your product dealer or local power company. For added protection for this product during a lightning storm, or when it is left unattended and unused for a long period of time, unplug it from the wall outlet and disconnect the cable system.
- 7. Power cord protection**---Protect the power cord from being walked on or pinched particularly at plugs, wall outlet, and the point where they exit from the device.

NOTE: Where the mains plug or an appliance coupler is used as the disconnected device, the disconnected device shall remain readily operable.
- 8. Overloading**---Do not overload wall outlets, extension cords, or convenience receptacles on other equipment as this can result in a risk of fire or electric shock.
- 9. Entering of objects and liquids**---Never insert an object into the product through vents or openings. High voltages are present in the product and inserting an object can cause electric shock and/or short circuit internal parts. For the same reason, do not spill water or liquid on the product.
- 10. Servicing**---Refer all servicing to qualified service personnel. Servicing is required when the device has been damaged in any way, such as the power-supply cord or plug is

IMPORTANT SAFETY PRECAUTIONS

damaged, liquid has been spilled, objects have fallen into the device, the device has been exposed to rain or moisture, does not operate normally or has been dropped.

11. Damage requiring service---If any of the following conditions occurs, unplug the power cord from the AC outlet and request a qualified service technician to perform repairs.

- a. When the power cord or plug is damaged.
- b. When liquid is spilled on the product or when objects have fallen into the product.
- c. When the product has been exposed to rain or water.
- d. When the product does not operate properly as described in the operating instructions.

Do not touch the controls other than those described in the operating instructions. Improper adjustment of controls not described in the instructions can cause damage, which often requires extensive adjustment work by a qualified technician.

- e. If the product has been dropped or the cabinet has been damaged in any way.
- f. When the product displays an abnormal condition or exhibits a distinct change in performance. Any noticeable abnormality in the product indicates that the product needs servicing.

12. Replacement parts---In case the product needs replacement parts, make sure that the service person uses replacement parts specified by the manufacturer, or those with the same characteristics and performance as the original parts. Use of unauthorized parts can result in fire, electric shock and/or other danger.

13. Safety checks---Upon completion of service or repair work, request the service technician to perform safety checks to ensure that the product is in proper operating condition.

WARNING: For continued safety, device with class I construction shall be connected to a mains socket outlet with a protective earthing connection.

IMPORTANT SAFETY PRECAUTIONS

About Location/Environment

Environmental Protection

Waste electrical products should not be disposed of with household waste. Please recycle where facilities exist. Check with your Local Authority or retailer for recycling advice.

Do not use in hot and cold rooms (locations)

- When the unit is used in rooms (locations) with low temperature, the picture may leave trails or appear slightly delayed. This is not a malfunction. The unit will recover when the temperature returns to normal.
- Do not leave the unit in a hot or cold location. Also, do not leave the unit in a location exposed to direct sunlight to near a heater or in high humidity, as this may cause the cabinet to deform and the IFP to malfunction and affect the IFP's performance.
- Environment condition:

Operating temperature: 5° C - 35° C

Operating humidity: 20% - 80% (no moisture condensation)

Storage temperature: -15° C - 45° C

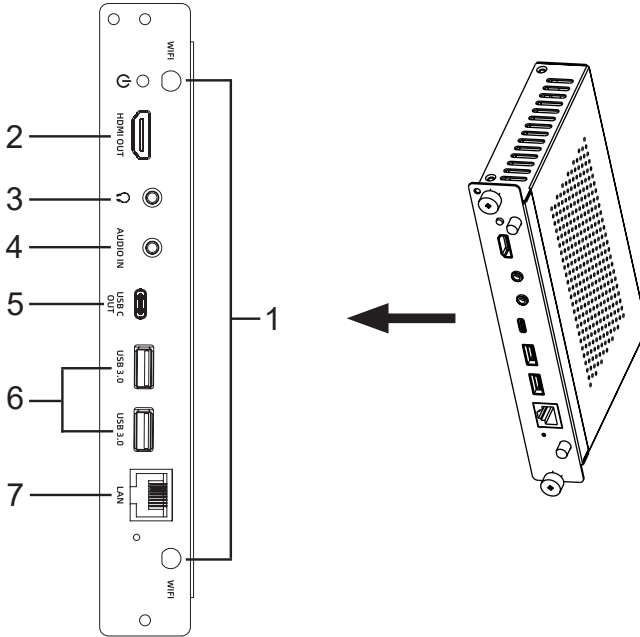
Storage humidity: 10% - 80%


Atmospheric pressure: 86 kPa ~106 kPa



The terms HDMI and HDMI High-Definition Multimedia Interface, and the HDMI Logo are trademarks or registered trademarks of HDMI Licensing Administrator, Inc. in the United States and other countries.

IDENTIFICATION OF CONTROLS



-
- | | |
|--|---|
| 1 WiFi antenna | Tighten the WiFi antenna in clockwise direction. |
| 2 HDMI OUT | Connect a monitor to this port, output of the currently screen. |
| 3  | Connect a headphone to this jack. |
| 4 AUDIO IN | Connect an external audio device with a Mini Jack cable to this jack. |
| 5 USB C OUT | Connect an external device with an USB-C cable to this port. |
| 6 USB 3.0 | USB standard interface, USB3.0 standard devices. |
| 7 LAN | Connects the external network or the router. |
-

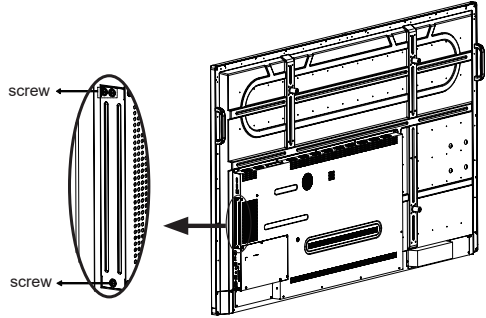
LNSTALLATION

Installation of the Navigator

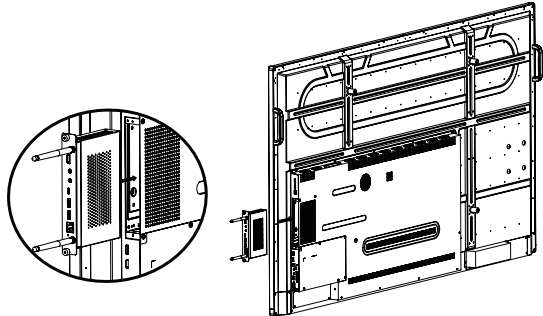


Warning: Please cut off power before the Navigator can be plugged in and out, no hot plug.

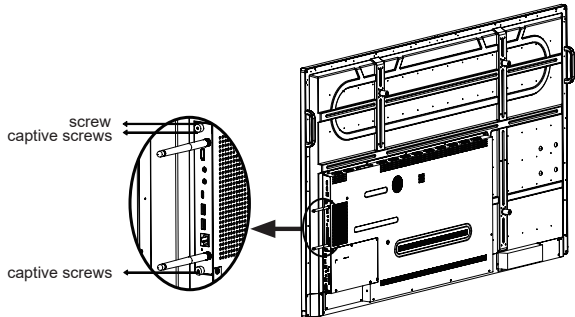
Unscrew the screws and take out the plate



Tighten the WiFi antenna in clockwise direction.
Insert the Navigator to the slot along the track on both sides.



Secure the Navigator with one screw and two captive screws.



CONNECTIONS

Cautions Before Connecting

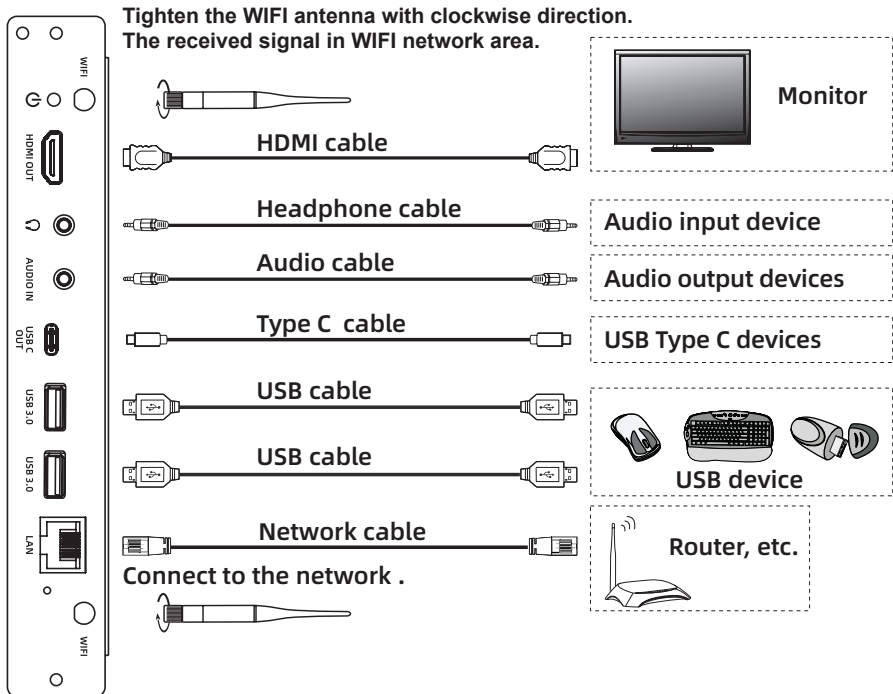
When connecting an external device to the PC, make sure that the PC and the device are turned off.

Check the plugs at the ends of cables to make sure that they are the correct type before you try plugging them into jacks on the PC.


Make sure that all plugs are securely inserted into the jacks. Loose connections can result in image or color problems.

The illustration of the external device may be different depending on your model.

Refer to the operating manual of the external device as well.



SPECIFICATIONS

Power Source	12-19V  2A
HDMI OUT	1
EARPHONE	1
AUDIO IN	1
USB C OUT	1
USB 3.0	2
LAN	1

Declaration of RoHS2 Compliance

This product has been designed and manufactured in compliance with Directive 2011/65/EU of the European Parliament and the Council on restriction of the use of certain hazardous substances in electrical and electronic equipment (RoHS2 Directive) and is deemed to comply with the maximum concentration values issued by the European Technical Adaptation Committee (TAC) as shown below:

Substance	Proposed Maximum Concentration	Actual Concentration
Lead (Pb)	0.1%	< 0.1%
Mercury (Hg)	0.1%	< 0.1%
Cadmium (Cd)	0.01%	< 0.01%
Hexavalent Chromium (Cr ⁶⁺)	0.1%	< 0.1%
Polybrominated biphenyls (PBB)	0.1%	< 0.1%
Polybrominated diphenyl ethers (PBDE)	0.1%	< 0.1%
Bis (2-ethylhexyl) phthalate (DEHP)	0.1%	< 0.1%
Butyl benzyl phthalate (BBP)	0.1%	< 0.1%
Dibutyl phthalate (DBP)	0.1%	< 0.1%
Diisobutyl phthalate (DIBP)	0.1%	< 0.1%

Certain components of products as stated above are exempted under the Annex III of the RoHS2 Directives as noted below:

Examples of exempted components are:

1. Mercury in cold cathode fluorescent lamps and external electrode fluorescent lamps (CCFL and EEFL) for special purposes not exceeding (per lamp):
 - (1) Short length (≤ 500 mm): maximum 3.5 mg per lamp.
 - (2) Medium length (> 500 mm and $\leq 1,500$ mm): maximum 5 mg per lamp.
 - (3) Long length ($> 1,500$ mm): maximum 13 mg per lamp.
2. Lead in glass of cathode ray tubes.
3. Lead in glass of fluorescent tubes not exceeding 0.2% by weight.
4. Lead as an alloying element in aluminium containing up to 0.4% lead by weight.
5. Copper alloy containing up to 4% lead by weight.
6. Lead in high melting temperature type solders (i.e. lead-based alloys containing 85% by weight or more lead).
7. Electrical and electronic components containing lead in a glass or ceramic other than dielectric ceramic in capacitors, e.g. piezoelectronic devices, or in a glass or ceramic matrix compound.



PRINTED ON
RECYCLED PAPER